



The Microguard™ MW200 is a Microprocessor controlled Digital Microwave Barrier. The system consists of a Transmitter and a Receiver unit. The transmitter generates a microwave beam in the X band creating an invisible but sensitive 3D volumetric protection zone.



BARRIER SYSTEM

An intruder entering the protected zone will immediately be detected and an alarm will be generated. It will detect an intruder walking, running or crawling through the protected zone.

DIGITAL SIGNAL PROCESSING

All signals are digitally processed which gives maximum detection performance with an extremely low false alarm rate, thus ensuring a very high security standard is achieved with a minimum number of false alarms.

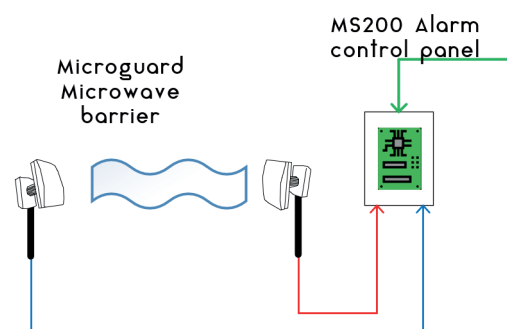
ENHANCED AUTOMATIC GAIN CONTROL

A wide-ranging Automatic Gain Control compensates for varying site conditions caused by rain, snow and fog. Due to the microprocessor control and digital signal processing an AGC range of 110dB is achieved.



EASY INTEGRATION

The MW200 can be easily integrated with a third party control panel using a dry contact relay output. It can also be integrated with our Multisys® control suite using our MS200 alarm control panel.



TECHNICAL SPECIFICATIONS

Product Numbers

MW200 Microguard	FS120 DC Power Supply
MW210 15M Microwave Sensor	
MS200 Multisys Alarm Input/Output Unit	

MW-200 Series Microguard™

Product Detail	Microwave frequency	9.5/10.525 GHz
	Modulating frequency	1khz, 1.28khz, 1.325Khz
	Maximum transmission power	35mW (normal operation)
	Maximum length of protection zone	Maximum length of protection zone
	Power Supply	12 to 25 volts
	Current consumption	95mA, 12vDC (one pair)
	Alarm Relay	NO/NC, 28V DC, maximum 0.1A
	Alarm time	Maximum 3s
	Tamper Switch	NC, 28V D, maximum 0.1A
	Environmental	Operating temperature
IP rating		IP 65
Dimension		158*138*46 mm
Weight		2.5Kg
Compliance	CE, ISO9001	

Advanced Perimeter Systems Limited

16 Cunningham Road, Springkerse Industrial Estate, Stirling FK7 7TP, Scotland UK

☎ UK +441786479862 ☎ USA+13203219412

www.advancedperimetersystems.com