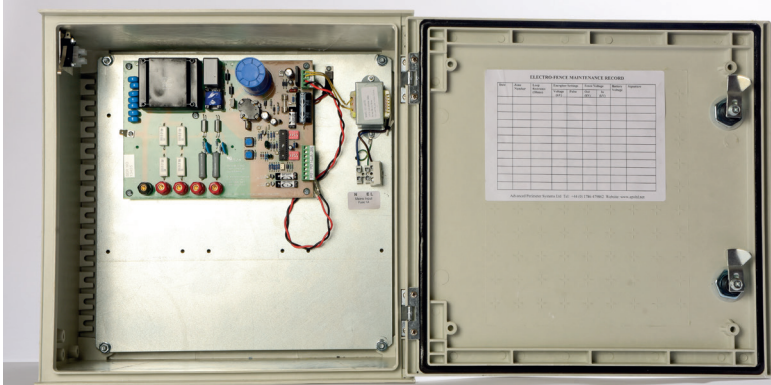




The EF13X series are security grade Electrical Energizers which can operate stand-alone or as part of a fully integrated, networked perimeter Security Solution.



DUAL ZONES

Deployable as a stand-alone fence controller, which can be integrated to your alarm control panel, or as a fully networked system controlled and monitored by our Multisys® Windows software suite. Easily configured by software or our hand-held programmer.



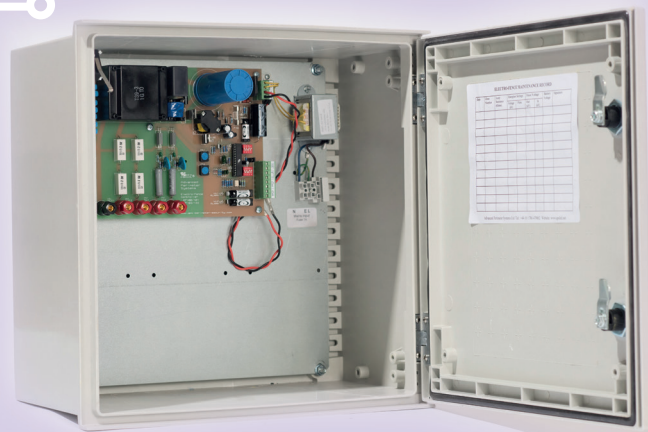
MS103 Handheld Programmer



Multisys interface

SYNCHRONIZATION

Multiple EF13X Energizers can be synchronized over RS-485 network connection controlled by a central Windows PC.



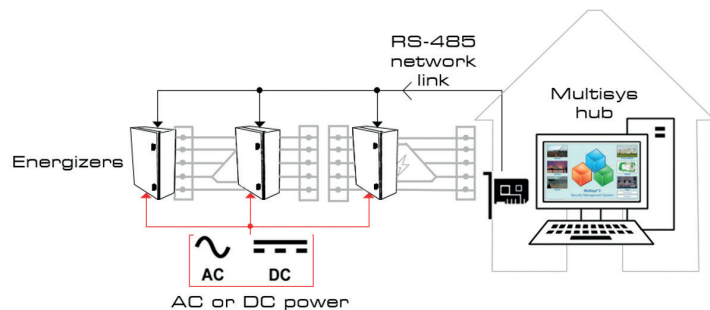
Robust IP65 rated enclosure

ALARMS

The EF13X Energizer generates alarms for a range of events and reports them to the Multisys hub. These include: Fence voltage drop, tamper, loss of network comms and back-up battery failure.

NETWORK READY

Bespoke RS485 network link to a central Windows hub, for a fully integrated security solution, up to 254 network nodes supported.



TECHNICAL SPECIFICATIONS

Product Numbers

EF132 Dual Zone High Security Multisys Controller	MS102 Multisys software suite
EF134 Dual Zone High Security Multisys Controller	MS103 Multisys Hand-held programmer
EF138 Dual Zone Bi-Polar Multisys Controller	

EF13X Fence Controllers

Product Detail	Fence Circuits	2
	Pulse Rates	1 pulse per 1.2 seconds
	No load output Voltage	9.9KV
	Pulse Energy	2.8J
	Voltage requirements	110-240VAC, or 15-24V DC.
	Average power consumption	8 watts
	Peak power consumption	20 watts
	I/O	2 * AUX alarm inputs, 2 outputs (dry relay).
	Max contact rating	250mA
	Max fence zone length	300 meters
Minimum Requirements	Software	Multisys version 2
Optional Backup Battery	7Ah/12V DC	8 Hours
Environmental	Operating temperature	-20 to 75C
	Water resistance	IP65
	Enclosure material	GRP
Communications	Max bus distance	1000 meters (further with optional repeaters)
	Cabling	4 core shielded data cable (recommended)
Dimensions	Enclosure	400 * 400 * 200 mm
Compliance	British standards and CPNI, ISO9001, CE.	

Advanced Perimeter Systems Limited

16 Cunningham Road, Springkerse Industrial Estate, Stirling FK7 7TP, Scotland UK

☎ UK +441786479862 ☎ USA+13203219412

www.advancedperimetersystems.com